

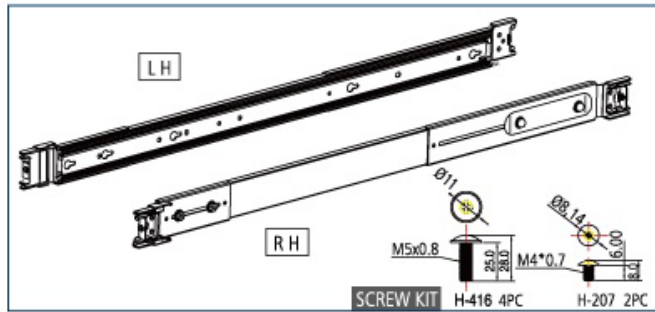
### 4 steps to the successful installation!!

Before you start

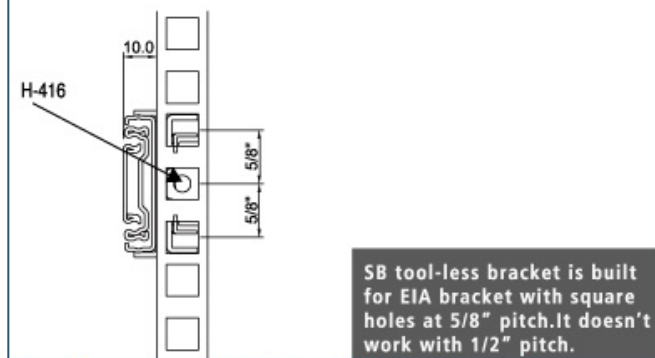
Please go through this guide thoroughly before installation. Please note that the 100lb-grade SB Tool-less is designed.

The SB bracket is for EIA rail with 5/8" pitch and square holes, and can only be mounted behind the rail. You will need to purchase transfer bracket in order to mount SB bracket on the rail with round holes. The standard retail packaging shall include one piece of left hand, one piece of right hand 4 pieces of H-416 screws for ear plate fastening and 2 pieces of H-207 screws for chassis fastening.

\*\* standard screw kit does not apply to chassis which is designed to be screw mounted.

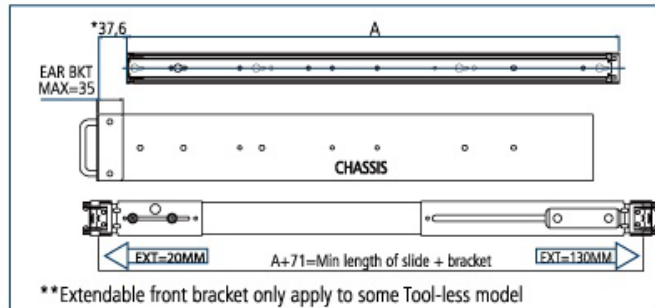
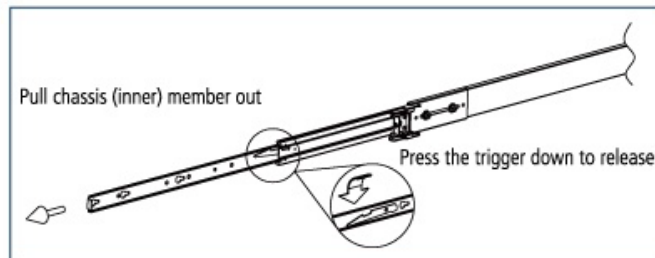


After installation or maintenance is finished, you may secure the server by putting screw through the center hole on bracket.



#### Step 1. remove the chassis ( inner ) member

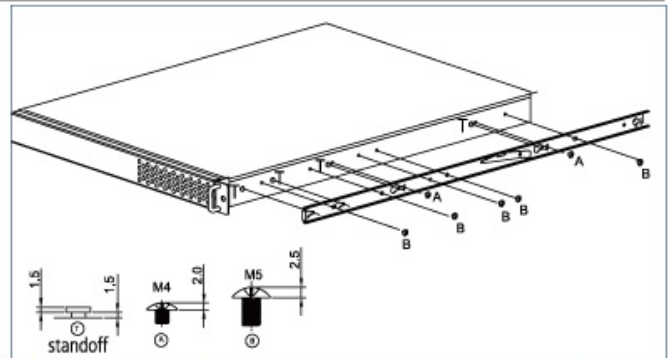
Pull the slide open. Then press the trigger down as shown on the drawing, and pull the chassis (inner) member out.



#### Step 2. mount the chassis ( inner ) member to the chassis

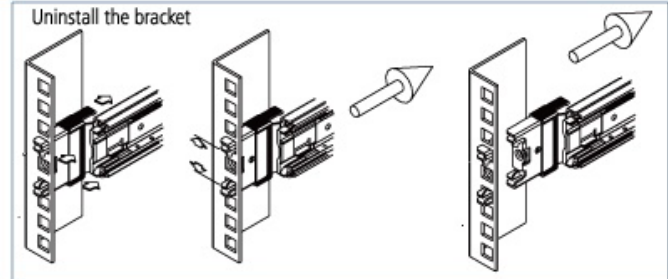
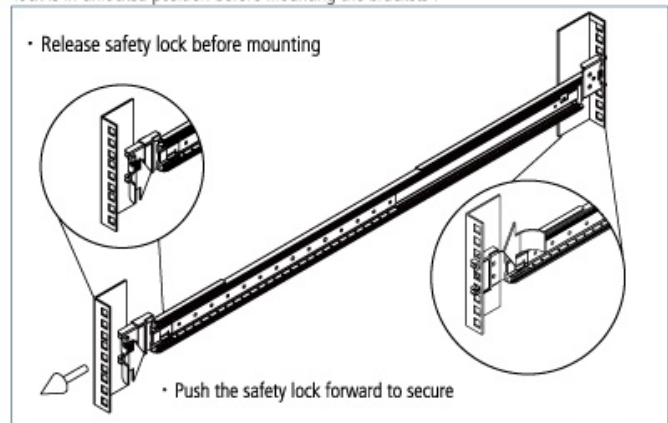
You may opt for M4 or M5 pan head screw. The screw head of either M4 or M5 can not exceed 2.0mm. Alternatively, you may mount the slide member to the chassis through standoffs. Likewise, the head of stand-off can not exceed 2.0mm.

Each side of chassis is highly suggested to use 3 of screws or standoffs for slide attachment.



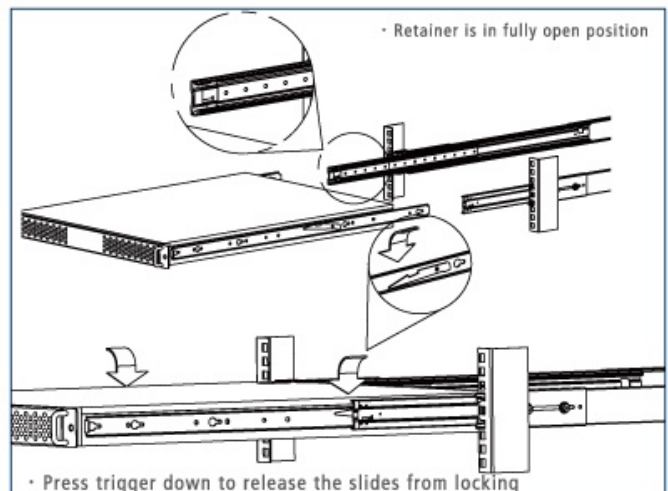
#### Step 3. attach the cabinet (outer) member to the rail

Insert the stag into the upper and lower square holes on EIA rail from the back of rail. Push the safety lock forward to secure the bracket. It is important to check if the safety lock is in unlocked position before mounting the brackets.



#### Step 4. mount the chassis into the cabinet

Insert the chassis ( inner ) member into the cabinet member as shown on the drawing. It is important to check if the ball retainer is in fully open position before install the chassis. It might cause catastrophic damage to the chassis if ball retainer is not in fully open position while mounting the chassis. While you are pushing chassis back to the cabinet, you need to release the slide from locking position by pressing the trigger down.



**Congratulation!! The installation is completed.**